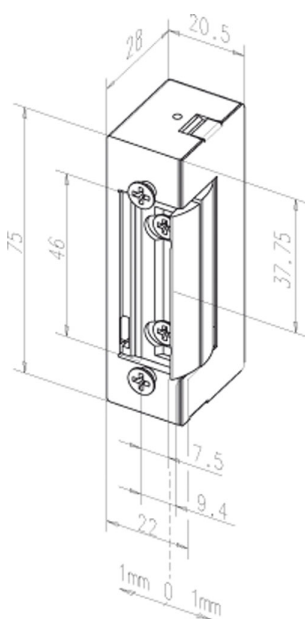


datasheet

Smoke protection door strikes 111U-----A71



Smoke protection door strikes 111U-----A71

Model 111U complies with the legal requirements applicable since 2001 for tested and approved products for smoke protection doors.

Model 111U is a tested product. With the P-120001757 smoke protection test certificate, a door manufacturer can seek acceptance and approval for its smoke protection door without the need to test the electric strike and smoke protection door as a combined system.

Overview of Advantages

- Symmetrical design
- Suitable for all common striking plates
- Integrated surge arrester (TVS diode)
- Multivoltage range
- ProFix®-compatible (ProFix = FaFix + latch bolt guide) (ProFix is a registered brand name)

technical data	
Voltage	10-24 V AC/DC
Adjustable latch (FF, FaFix)	Yes
Diode (05)	Yes
Fail-locked	Yes
Break-in resistance	5000 N
Height	75 mm
Width	20,5 mm
Depth	28 mm
Operating temperature range	-15 °C to +40 °C
Installation position	vertical and horizontal
Material housing	Die-cast zinc
Latch material	Die-cast zinc
Material surface-mounted attachment	Die-cast zinc
Fafix regulating range	2 mm
Latch bolt engaging depth	5,5 mm
Approvals	for smoke protection doors
Continuous function load cycles	200000
Nominal resistance 12 V	40,00 Ω
Nominal resistance 24 V	40,00 Ω
AC current consumption 12 V	250 mA
AC current consumption 24 V	500 mA
DC-current consumption (50% Residual ripple) 12 V	280 mA
DC current consumption (50% ripple) 24 V	560 mA
DC-current consumption (stabilized) 12 V	300 mA
DC current consumption (stabilised) 24 V	600 mA
AC-operating noise 12 V	loud [4]
AC operating sound 24V	very loud [5]
DC-operating noise 12 V	low [1]
DC operating sound 24V	scarcely audible [2]
Max. latch preload AC operation 12 V	140 N
Max. latch preload DC (50% ripple) 12 V	80 N
Max. latch preload DC (stabilised) 12 V	30 N
Max. latch preload AC operation 24 V	250 N
Max. latch preload DC (50% ripple) 24 V	120 N

datasheet

Smoke protection door strikes

111U-----A71



Max. latch preload DC (stabilised) 24 V	60 N
	Article number
	111U-----A71