

DOOR BOLTS

843, 843 ZY

Door bolts

Model 843 and 843 Zy

Thanks to its compact design and ingenious accessories, the effeff door bolt 843 provides manifold installation possibilities. As an additional locking device it provides optimum security in both the commercial and private sector.

- For horizontal and vertical mounting
- Downward closing only when mounted horizontally
- Surface mounting also on glass doors
- Automatic unlocking for 8 seconds via integrated control
- Integrated door and locking monitoring contacts
- For temporary and permanent release
- Suitable for revolving and swing doors
- In order for the bolt to function correctly, a corresponding striking plate with magnet is required for detecting the state of the door

Model 843

Order No. 843 No-load current

843-1-----Q41

Order No. 842 load current

843-1-30----Q41

Model 843 Zy

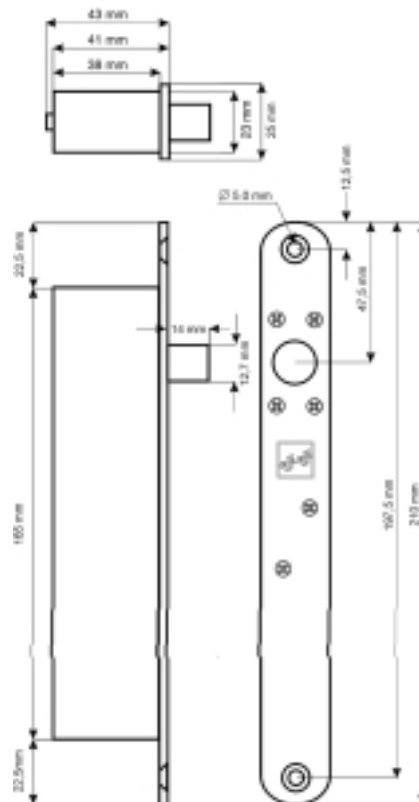
- No-load current
- With European profile cylinder perforation for mechanical emergency unlocking via on-site profile cylinder

Order No. 843 Zy

843Zy-1-----Q41



843



Technical drawing 843

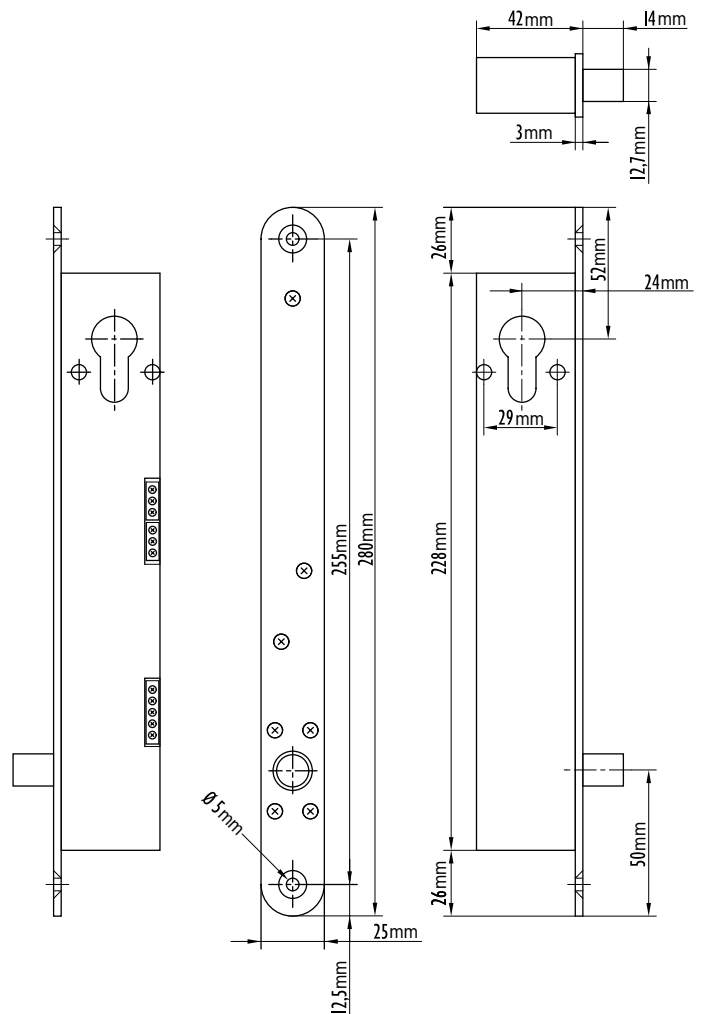
DOOR BOLTS

843, 843 ZY

Technical data	
Rated operating voltage	12 V DC -10% to 24 V DC +15%
Power-on current at 12 V / 24 V	1.050 mA / 900 mA
Holding current at 12 V / 24 V (after 300 ms)	210 mA / 80 mA
Door contact	max. 25 V AC / DC, 200 mA
Bolt position contact	max. 25 V AC, 1 A, 25 V DC, 500 mA
Profile cylinder contact (only 843 Zy)	max. 25 V AC, 1 A, 25 V DC, 500 mA
Bolt diameter	Ø 12.7 mm
Dead bolt throw 843	14 mm
Dead bolt throw 843 Zy	14 mm
Bolt housing size (L x W x H) 843	165 x 23 x 40 mm
Bolt housing size (L x W x H) 843 Zy	228 x 22 x 39 mm
Shearing strength	10.000 N



843 Zy



Technical drawing 843 Zy

DOOR BOLTS

ACCESSORIES 843

Accessories for door bolt 843

843-3 Stainless steel striking plate, long, incl. magnet

H x W x D: 210 mm x 25 mm x 3 mm

Order No.

843-3-----35



843-4 Stainless steel housing for surface mounting for door bolt 843-1 or for long striking plate 843-3

H x W x D: 225 mm x 46.5 mm x 27.4 mm

Note: Delivery without bolt

Order No.

843-4-----35



843-7 Stainless steel concealing plate

H x W x D: 225 mm x 46.5 mm x 0.7 mm

For covering the adhesive surface when gluing to glass surfaces

Order No.

843-7-----35



Accessories for door bolt 843 Zy

843 Zy-3 stainless steel striking plate, long incl. magnet

H x W x D: 280 mm x 25 mm x 3 mm

Order No.

843Zy-3-----35

843 Zy-4-1 stainless steel housing for surface mounting for door bolt 843 Zy-1 (with profile cylinder perforation)

H x W x D: 295 mm x 47 mm x 27.4 mm

Note: Delivery without bolt

Order No.

843Zy-4-1----35

843 Zy-4-2 Housing for surface mounting for long striking plate 843 Zy-3 (without profile cylinder perforation)

H x W x D: 295 mm x 47 mm x 27.4 mm

Note: Delivery without bolt

Order No.

843Zy-4-2----35

843 Zy-7 stainless steel concealing plate

H x W x D: 295 mm x 47 mm x 0.7 mm

For covering the adhesive surface when gluing to glass surfaces

Order No.

843Zy-7-----35



DOOR BOLTS

ACCESSORIES 843, 843 ZY

Accessories for door bolts 843 and 843 Zy

843-2 stainless steel striking plate, incl. magnet

H x W x D: 80 mm x 25 mm x 3 mm

Order No.

843-2-----35



843-8 gluing set

lcomprising cleaner, primer, glue,
adhesive strips and brush

Order No.

843-8-----00



36

Current supply: Power supply unit

Technical data	
Secondary rated voltage	24 V AC and DC/DC = 50 % residual ripple
Rated current	1 A / 1.5 A max. 10 s
Dimensions (L x W x D)	106 x 70 x 73 mm
Mounting	Surface-mounting/top hat rail
Protection against overloading	Temperature-operated switch

Order No.

1001-24-1----00



Current supply: Power supply unit

Technical data	
Secondary rated voltage	12 V AC and DC/DC = 50 % residual ripple
Rated current	1 A/1,5 A max. 10 s
Dimensions (L x W x D)	106 x 70 x 73 mm
Mounting	Surface-mounting/top hat rail
Protection against overloading	Temperature-operated switch

Order No.

1001-12-1----00

