

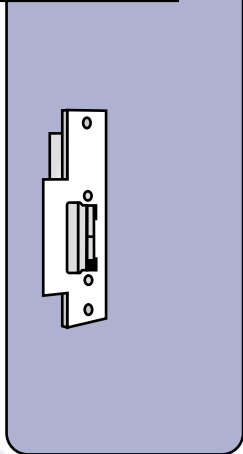
SHORT STRIKING PLATES

WITH KEEP GUIDE
AND FLANGE

Standard see technical drawing left



ORDER DATA		No.	169
SPECIFICATIONS	Surface finishes*	Stainless steel	
		Galvanized and ground	40
		Polished brass	
		Yellow chromated	
		Gold-coloured	01
		Grey	
		Black	
		White	
		Dimensions	A
	B		
	C		
	D		
	E		
	F		
	G		
	H		
	I		
	L		
	M		
	N		
	O		
	P		
	R		
	S		
	T		
	U		
	V		
	X		
		DIN orientation required	
Strike model	14 UNI	x	
	14 DIN... (right-hand GRM)	x	
	14RR DIN	x	
	17, 116 UNI		
	17RR, 116RR UNI		
	19 UNI		
	19 DIN		
	142 DIN	x	
	142RR DIN	x	
Special features			

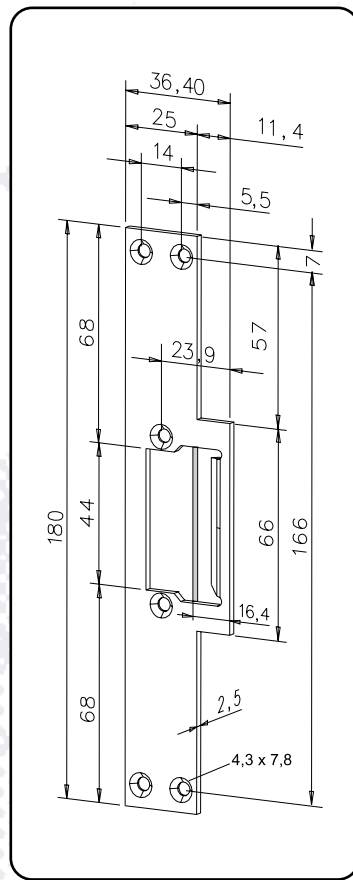


210

* For more information on surface finishes see from page 236

SHORT STRIKING PLATES

WITH KEEP GUIDE
AND FLANGE



Flat striking plate 169

