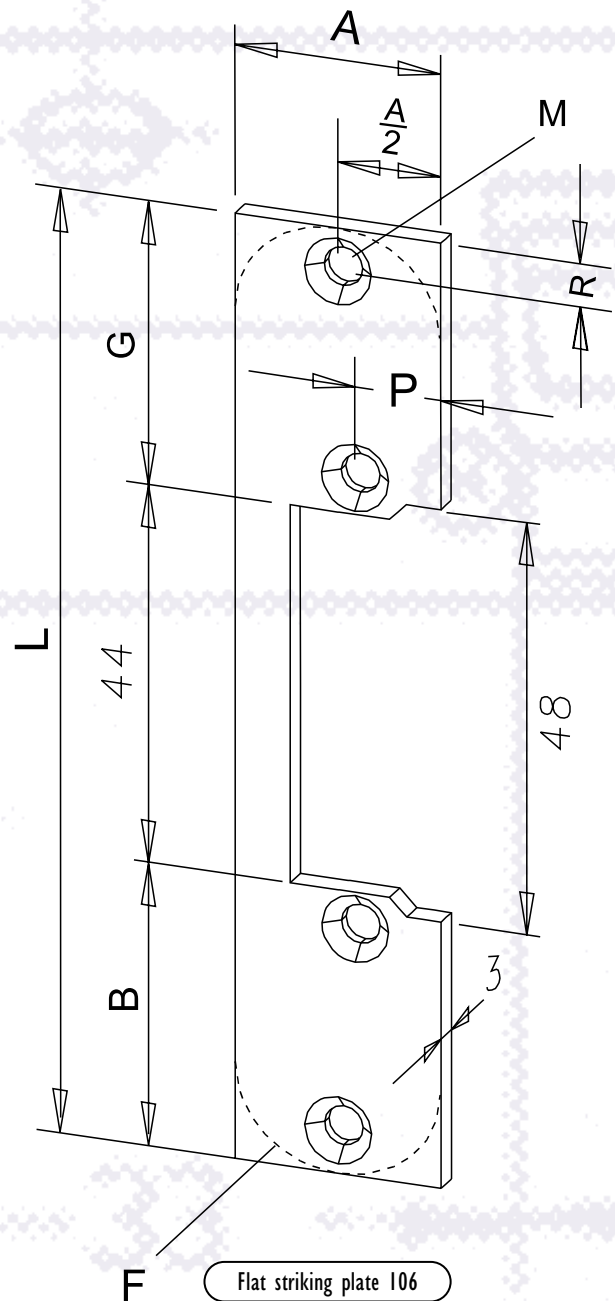


Key

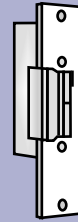
- A Width of the striking plate
- B Distance from the keep aperture to the dead bolt aperture.
With KL, kF, KiW, distance from keep aperture to bottom edge of striking plate
- F Radius at the 4 striking plate corners
- G Distance from upper edge of striking plate to keep aperture
- L Overall length of the striking plate
- M Dimensions of fixing holes
- P Distance from striking plate fixing hole to front edge of striking plate
- R Distance of the striking plate fixing hole to upper edge (lower edge) of striking plate



SHORT STRIKING PLATES

WITH 2 FIXING HOLES

Standard see technical drawing left

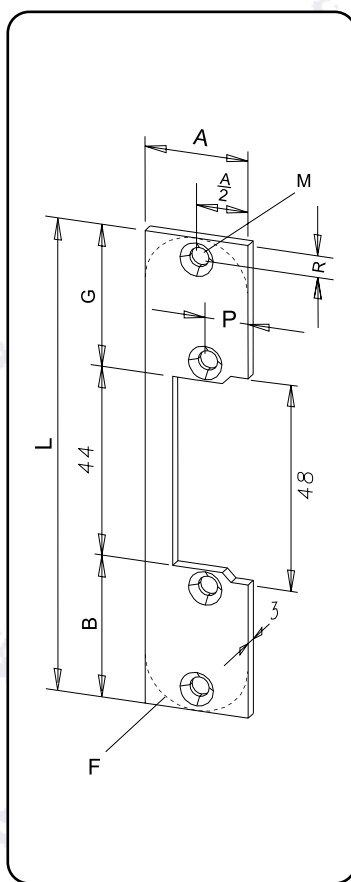


ORDER DATA		No.	106	096	098	103	120	123	128	293	403	121	126	185	173
Surface finishes*	Stainless steel	35	35	35		35					35	35	35		
	Galvanized and ground	40	40	40		40									
	Polished brass														
	Yellow chromated														
	Gold-coloured	01	01	01		01									
	Grey	02	02	02	02	02	02	02	02	02				02	02
	Black														
	White														
Dimensions	A	24	24	24	25	25	24	24	24	24	24	24	24	24	24
	B	33	43	22	44,5	50	43	44,5	42	58	58	48	28	48	
	C														
	D														
	E														
	F	No	No	No	No	No	No	No	No	No	12	12	12	12	
	G	33	43	64	61,5	66	43	61,5	74	58	58	48	68	48	
	H														
	I														
	L	110	130	130	150	160	130	150	160	160	160	140	140	140	
	M	4,5 x 7,8	4,3 x 8	5,3 x 8	4,3 x 8	5,3 x 8	4,3 x 8	4,3 x 7,8	5,3 x 8	5,3 x 10	5,3 x 10	5,3 x 0	5,3 x 10	5,3 x 10	
	"M" countersunk on both sides	No	No	Yes	No	Yes	No	No	Yes	No	No	No	No	No	No
	O														
	P	10	10,2	10,2	11	11	10,2	11	11	11	11	10,2	10,2	10,2	
	R	5	4	4,5	7	7	4	4	7	7	7	7	7	7	
	S														
	T														
	U														
	V														
	X														
DIN orientation required														x	
Strike model	I4 UNI		x					x							x
	I4 DIN... (right-hand GRM)				x	x			x						
	I4RR DIN				x	x			x						
	I7, I16 UNI	x	x		x	x	x		x						x
	I7RR, I16RR UNI		x		x	x	x		x						x
	9334, 934									x	x				
	9134, 914											x			
	I42 DIN		x		x	x	x		x						x
	I42RR DIN				x	x			x						
	I45 DIN			x										x	
Special features								For Model 9014, 9034							

* For more information on surface finishes see from page 236

SHORT STRIKING PLATES

WITH 2 FIXING HOLES



Flat striking plate 106

