

Latch Plate B

Accessories for Door Interlocks



Function and Range of Application

The latch plate is necessary as the counter part for the latch bolt of a door interlock and installed into the door. The latch plate is, so to say, the key to the release of the faulty closure device, so that the latch bolt can only drive out into the locking position at closed door. For an existing installation, a version with drilled holes to the integration of a special mounting clamp is available.

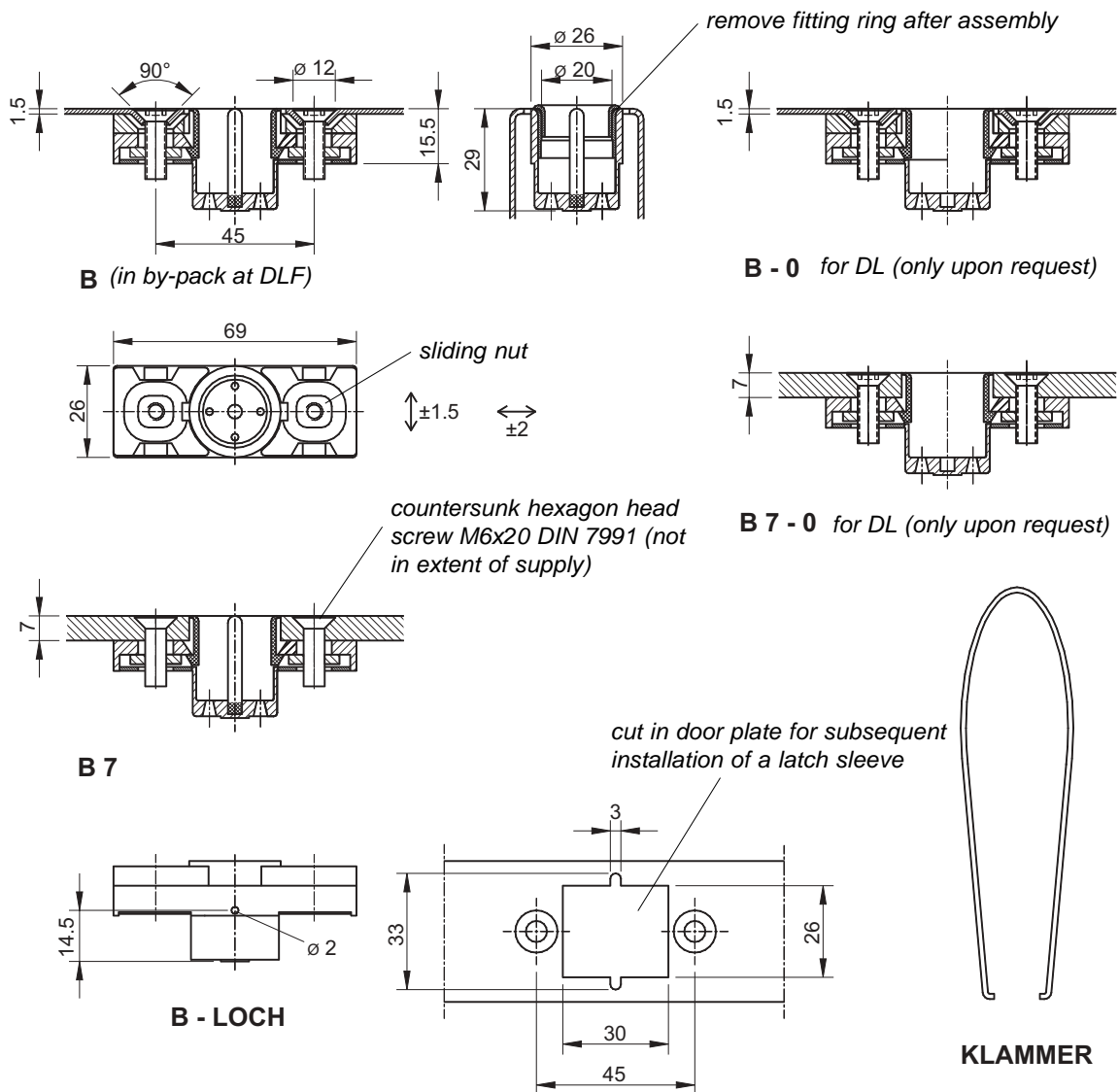
Features

- aluminium die-cast with plastic parts
- distance ring made of plastics for quiet operation
- additional guide sleeve for the centring at assembly
- very long service life caused by good sliding features
- two versions for different thickness of metal sheets
- version without pin possible for door interlocks without faulty closure device

Order Information Codes

B	latch plate
B 7	latch plate for 7mm wall thickness
B - 0	latch plate without pin
B 7 - 0	latch plate without pin for 7mm wall thickness
B - LOCH	latch plate B with holes for mounting clamp
B 7 - LOCH	latch plate B 7 with holes for mounting clamp
KLAMMER	mounting clamp for existing installation

Device Dimensions



Technical Data

enclosure	aluminium die-cast with steel pin
customary position	acc. to customary position of the door interlock
ambient air temperature	-30 °C to 80 °C
weight	46 g