

Latch Plate BS

Accessories for Door Interlocks



Function and Range of Application

The latch plate BS-V with height adjustment, is available for use with different gauges of door plates. The adjustable sleeve has to be fixed by means of screw locking. (i.e. Loctite)

This offers the possibility of a subsequent adjustment e.g. if the door plate has lower duty cycle itself. For the subsequent installation in doors, the special version is especially suitable as only a round hole in the door plate is necessary. Because the latch plate is made of high-grade steel it is also suitable for aggressive surroundings.

The version BS-SEIT can be mounted laterally on the door to be locked.

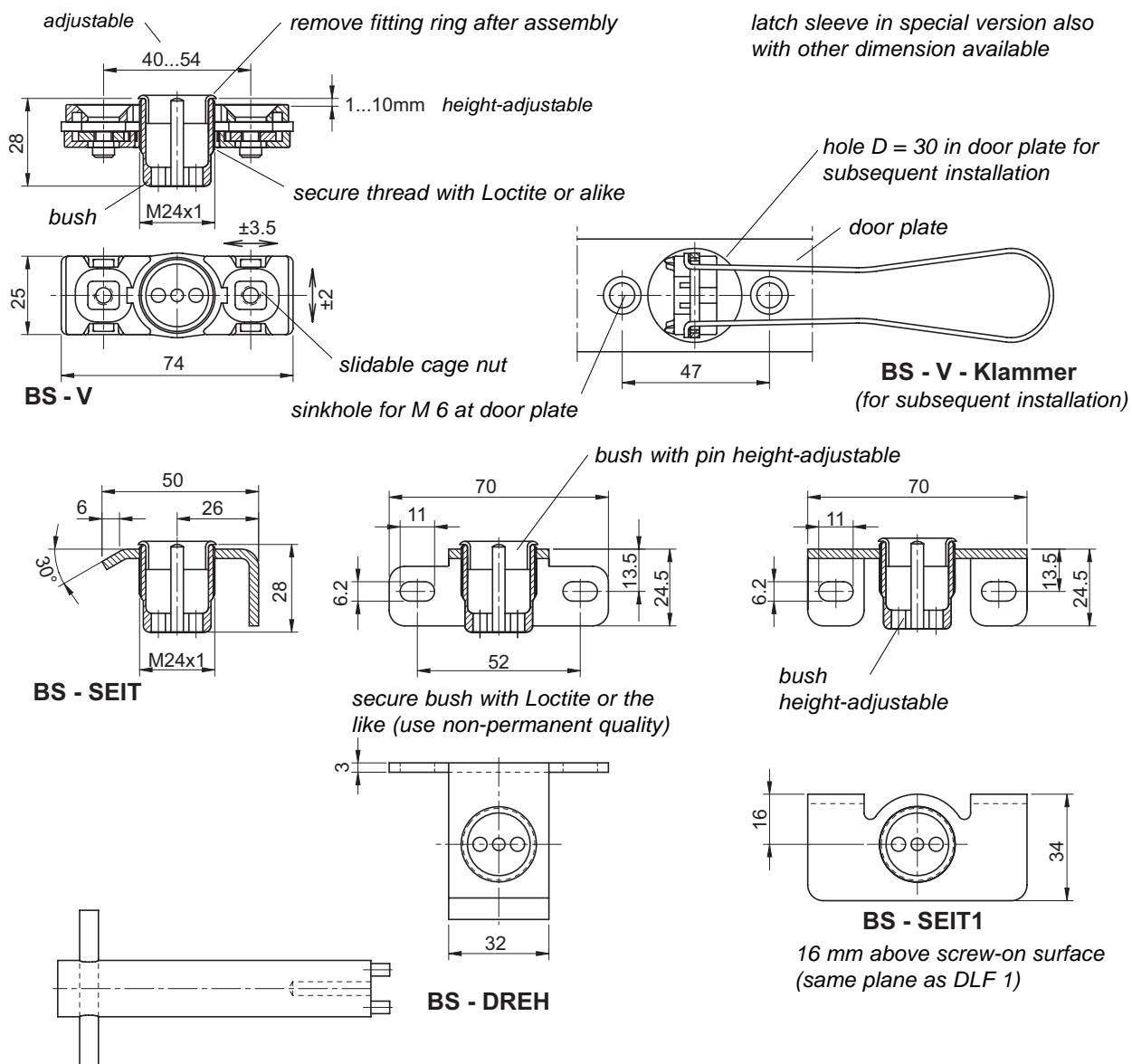
Features

- parts made of high-grade steel
- height-adjustable guide sleeve
- suitable for aggressive environment
- simple subsequent installation, because only a round hole is necessary

Order Information Codes

| | |
|-------------------------|---|
| BS - V | latch sleeve special version with height adjustment |
| BS - SEIT | latch sleeve special version for lateral fixation |
| BS - SEIT1 | latch sleeve for lateral fixation, 16 mm |
| BS - V - KLAMMER | mounting clamp for latch sleeve BS - V (for subsequent installation) |
| BS - DREH | tool to turn in the bush |

Device Dimensions



Technical Data

| | |
|-------------------------|--|
| enclosure | highgrade steel |
| customary position | acc. to customary position of the door interlock |
| ambient air temperature | -30 °C to 80 °C |
| weight | 65 g at BS - V or 80 g at BS - SEIT |