

Pull Rod Deflection E - ZU

Accessories for Door Interlocks



Function and Range of Application

Pull rod deflection serves for the shifting of the actuation of door interlocks to another level. The movement direction of the pull rod is deflected by 90 degrees. The pull-rod deflection can be used, for instance, to lead the emergency release to an accessible location in front of the elevator.

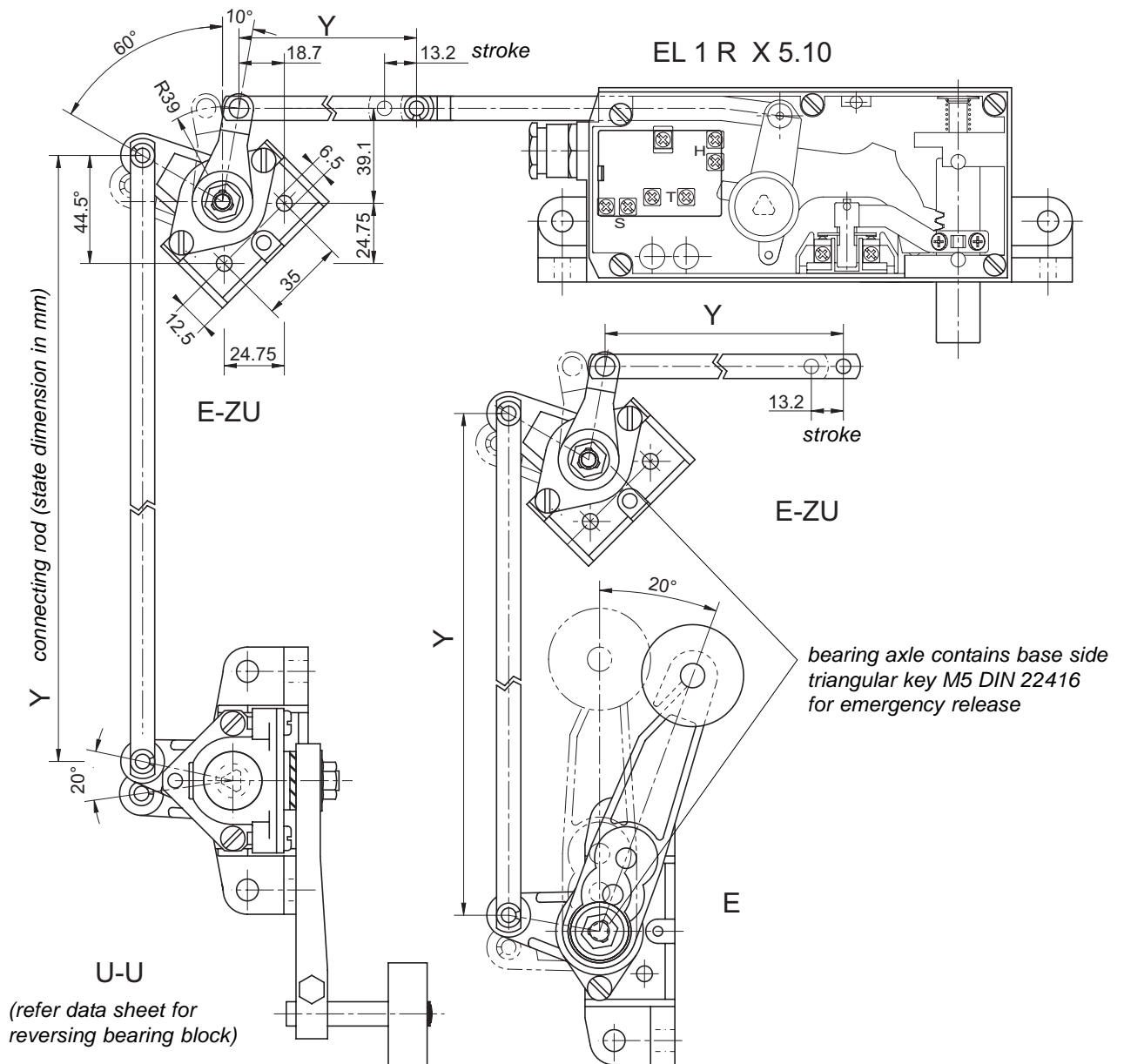
Features

- aluminium die-cast assembly with high stability
- base side emergency release by a standardized triangular key
- precise bearing

Order Information Codes

E - ZU	pull rod deflection
Y	connecting rod
Y long	connecting rod from 500 mm length on

Device Dimensions



Technical Data

assembly	aluminium die-cast
customary position	any customary position
ambient air temperature	-30° C to 80 °C
actuation torque	2.4 Nm at DLF 1; 3.2 Nm at DLF 2
weight	202 g