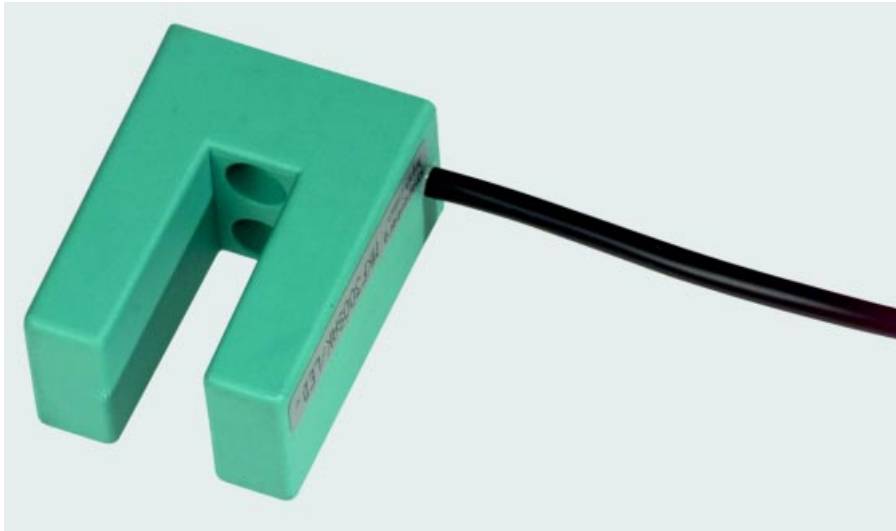


Magnet Switch MSK

slot magnet switch with cable



Function and Range of Application

The slot magnet switch MSK equipped with a Reed contact is switched by a sheet steel that enters into the slot. An additional permanent magnet is not necessary. The contact surrounded by inert gas reliably reports the position of moving parts. The switching condition can be indicated with LED's. A bistable version is not planned.

Features

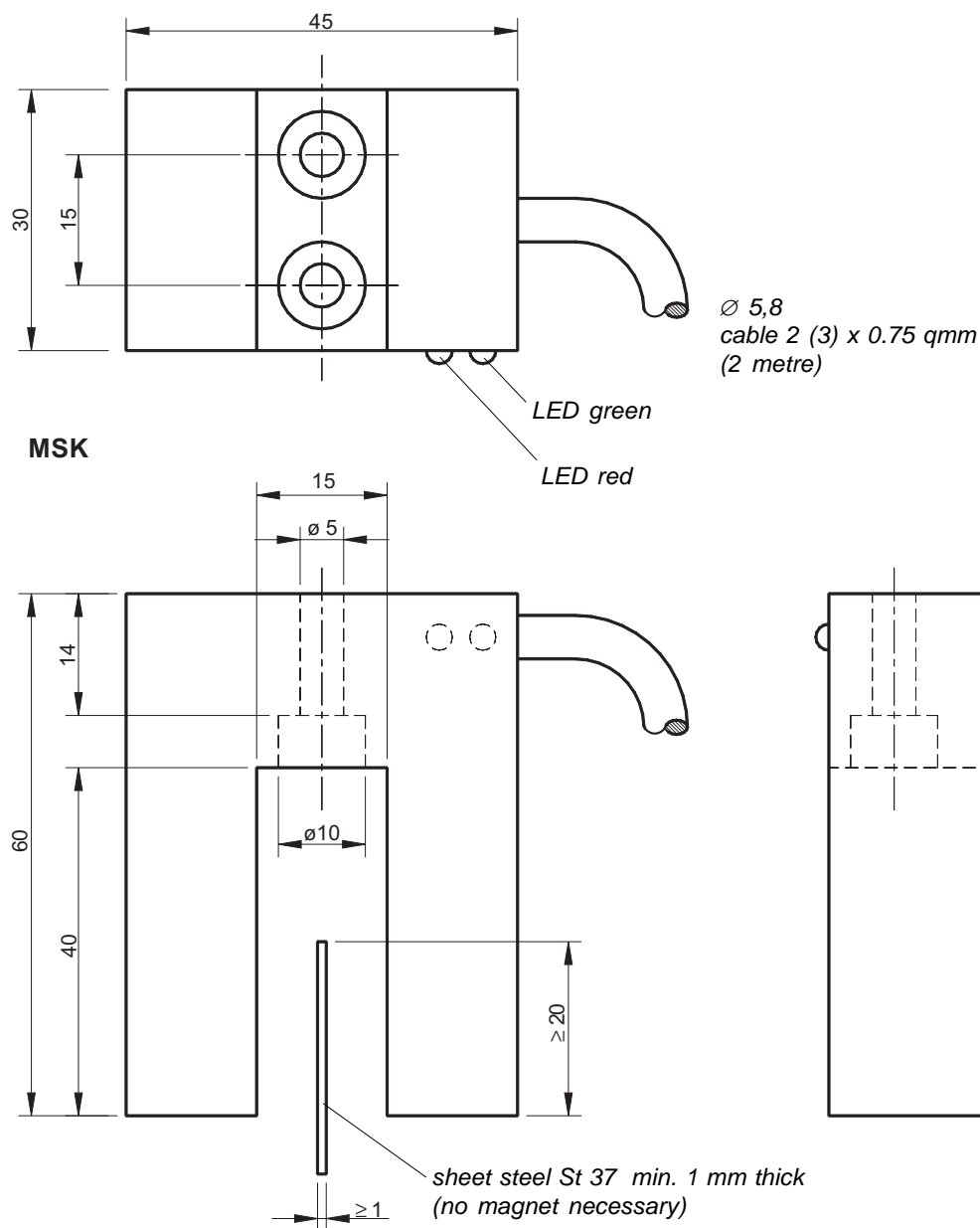
level of protection IP 67
high contact safety because of Reed contact with inert gas
quite
long service life
version with LED's available

Order Information Codes

MSK - S	slot magnet switch with cable (2 m), NO
MSK - S - LED	slot magnet switch with cable (2 m), NO with LED
MSK - O	slot magnet switch with cable (2 m), NC
MSK - O - LED	slot magnet switch with cable (2 m), NC with LED
MSK - U	slot magnet switch with cable (2 m), change-over switch



Device Dimensions



Technical Data

enclosure	thermoplastic, level of protection IP 67		
contacts	1 S (1 NC, 1 changeover switch), Fe/Ni with Rhodium as contact material		
connection	2 m connection cable 2 or 3 x 0.75 mm ²		
ambient air temperature	-25 °C to 70 °C		
weight	switch 120 g		
switch-on-/drop-out-/bouncing time	4 ms / 0.5 ms / 0.5 ms		

	NO	NC	changeover switch
switching performance max.	40 VA/W	40 VA/W	20 VA/W
switching current max.	0.8 A	0.8 A	1.0 A
switching voltage max.	230 V	230 V	150 V