

# Door Contact PZ 73

*Safety Switch, Classic Type*



## Function and Range of Application

The door contact PZ 73 is a safety switch with positive contact and is used to control the close position of elevator doors or as a switch for locking mechanism on automatic doors. The PZ 73 is **the** standard switch in the elevator industry with unmatched basic principle. The door contact is actuated by contact bridges PZ 18, PZ 21; DZ 18; DZ 21; PZ 18SO or PZ 24. For the door contact PZ 24 the protection against accidental contact has to be considered separately.

## Features

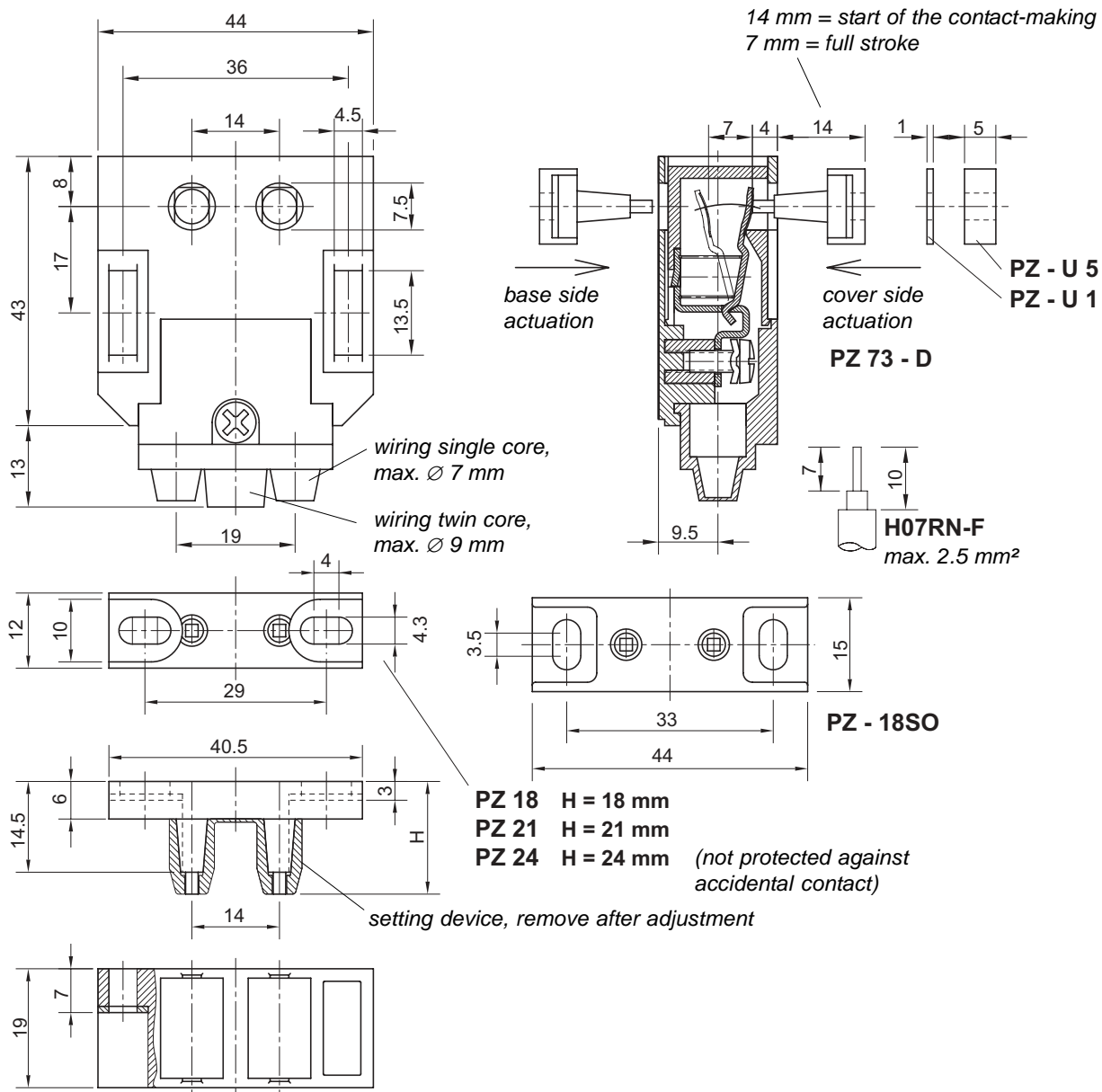
- authoritative judgement G 329 by the TÜV for EN 81
- level of protection IP 20 (finger protection)
- actuation direction may be conversed
- high contact safety by self-cleaning
- quite functioning
- very long service life
- pressure plate for secure fixation

## Order Information Codes

<b>PZ 73 - B</b>	door contact, base side actuation
<b>PZ 73 - D</b>	door contact, cover side actuation
<b>PZ 18</b>	contact bridge, 18 mm high
<b>PZ 21</b>	contact bridge, 21 mm high
<b>PZ 24</b>	contact bridge, 24 mm high ( <i>not protected against accidental contact</i> )
<b>PZ 18SO</b>	contact bridge special (diagonal), 18 mm high
<b>PZ - U1</b>	pad, 1 mm thick for PZ 18/21/24
<b>PZ - U5</b>	pad, 5 mm thick for PZ 18/21/24
<b>PZ - A</b>	marking device for contact bridge PZ 18/21/24



## Device Dimensions



## Technical Data

**EN 81-1 and EN 81-2**

**EN 60947-5-1**

**switching capacity**

**short-circuit capacity**

**enclosure**

**contacts**

**connection**

**ambient air temperature**

**actuation force**

**weight**

applies to the demands of the safety regulations for elevators

nominal insulation voltage 500 V I<sub>th</sub> = 10 A U<sub>imp</sub> = 4 kV

AC-15 I<sub>e</sub> = 2 A U<sub>e</sub> = 230 V DC-13 I<sub>e</sub> = 2 A U<sub>e</sub> = 200 V

T 10 A; F 16 A

level of protection IP 20, thermoplastic, self-extinguishing

positive contact with refined silver as contact material

by screw terminal max. 2.5 mm<sup>2</sup>

-30 °C to 80 °C, installation any operating position

1.6 N

PZ 73 = 42 g PZ 18 = 6 g PZ 21 = 6.2 g PZ 24 = 6.4 g