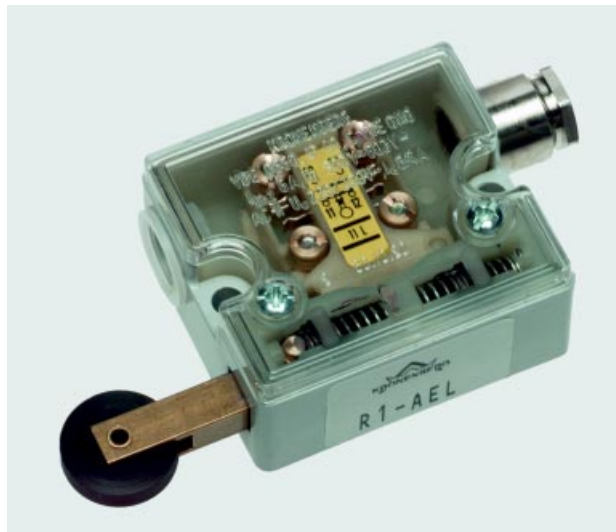


Roller Pin Contact R 1

roller parallel to the base



Function and Range of Application

The roller pin type contact R 1 is a safety switch with forced actuation. The switch is suited for all safety circuits as for instance for the speed control. Preset positions of mechanically moved parts are monitored. The roller pin contact is actuated by a roller parallel to the base.

Features

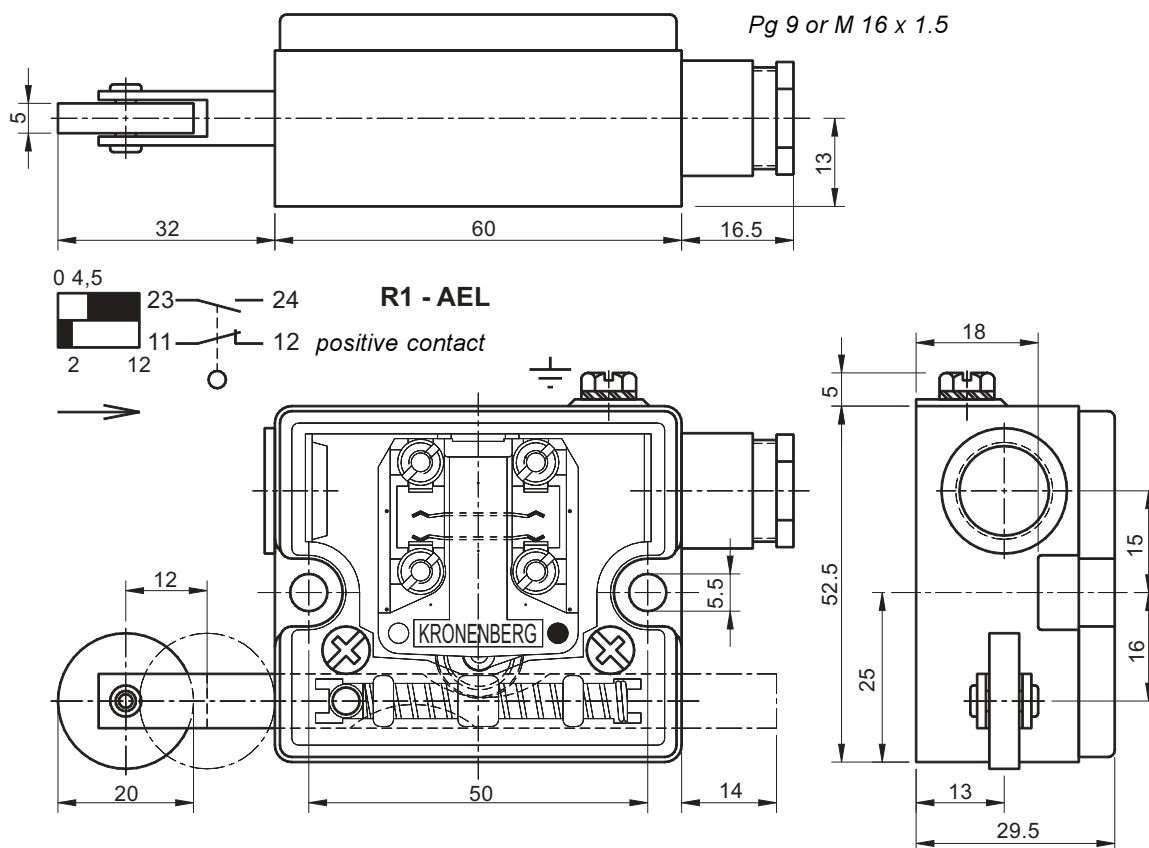
- robust metal enclosure, level of protection IP 40
- transparent cover
- version with and without spring or with spring return
- actuation direction easily changeable
- turning the pin turns a NC to a NO

Order Information Codes

R 1 - AL	roller pin contact, left, NC
R 1 - EL	roller pin contact, left, NO
R 1 - AEL	roller pin contact, left, NC/NO
R 1 - AL - RAST	roller pin contact, left, NC with stay-put feature
R 1 - EL - RAST	roller pin contact, left, NO with stay-put feature
R 1 - AEL - RAST	roller pin contact, left, NC/NO with stay-put feature
...R (instead of L)	right-hand operation instead of left-hand operation



Device Dimensions



Technical Data

EN 81-1 and EN 81-2

EN 60947-5-1

switching capacity

short-circuit capacity

enclosure

contacts

connection

ambient air temperature

actuation force

weight

applies to the demands of the safety regulations for elevators

nominal insulation voltage 500 V I_{th} = 6 A U_{imp} = 4 kV

AC-15 I_e = 6 A U_e = 230 V DC-13 I_e = 0.3 A U_e = 200 V

T 10 A; F 16 A

metal with plastics cover, level of protection IP 40

positive contact with refined silver as contact material

by slot nut max. 2.5 mm²

cable entry Pg 9 (M 16 x 1.5)

-30 °C to 80 °C, installation any operating position

15 N

switch = 150 g